

ITAB



**SPLiNE** SPLiNE is a complete lighting system for all kinds of applications. Developed from the ground up with installation, flexibility and efficiency in mind.

## SPLiNE

Consisting of separate trunking units, LED batten and track lighting units. The SPLiNE system allows for flexible and modular planning while keeping installation and maintenance fast and simple.







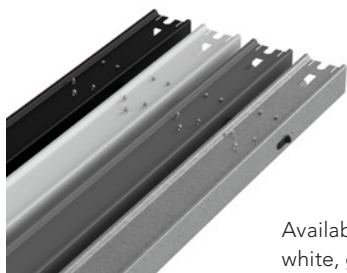
SPLiNE can be installed both as a continuous or discontinuous row and as a single fixture. Different sizes of the trunking unit makes it possible to do a fast and cost effective installation and also suit different sizes of buildings.



Easy mount.



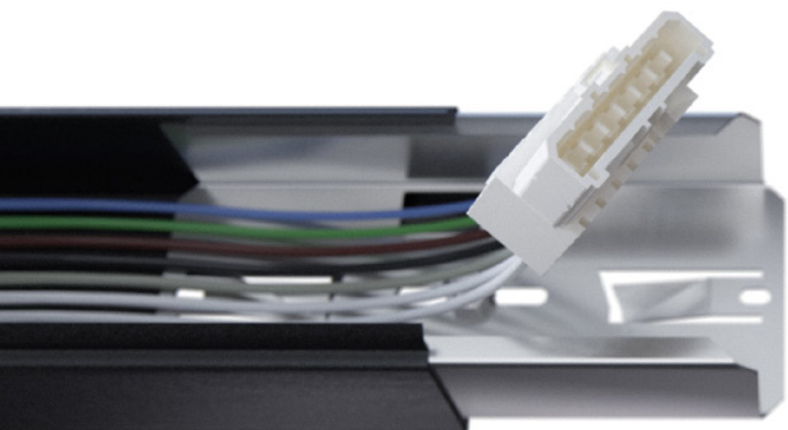
With different types of battens, depending on lighting needs and installation height, you can add even more flexibility. A three phase track batten gives access to Nordic Light's complete range of accent lighting – for discontinued installations a cover batten is available.



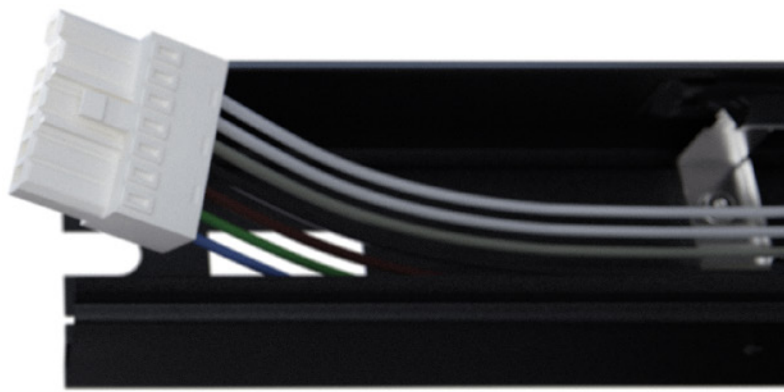
Available in colours black, white, grey and galvanized.

## Trunking units

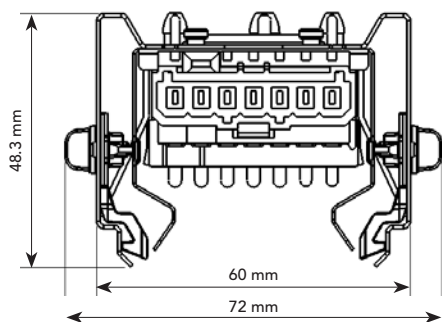
Trunking units are available in lengths of 860 mm, 1500 mm and 3000 mm. Units are easily assembled without tools.



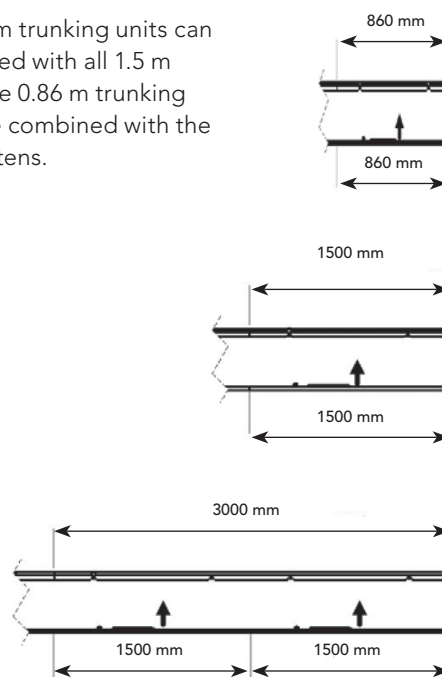
Connectors are used to fast and easy connect the trunking units to each other.



Trunking units are pushed into a trunking joint and securely locked. The trunking joint and end cap is also used to mount the system in the ceiling.



3 m or 1.5 m trunking units can be combined with all 1.5 m battens, the 0.86 m trunking unit can be combined with the 0.86 m battens.





Supply cable entries

The supply cable can be installed through either one of the two cable entries.

A batten is easily installed into the trunking without any tools. Use the lock button to secure the installation. Red colour indicates unlocked batten.

The mains power cable is wired into the male terminal block in the trunking unit.



Art no	Description	Poles	Weight
309-201-001-xx*	Trunking Unit 1500 mm	7	1.8 kg
309-201-002-xx*	Trunking Unit 3000 mm	7	3.7 kg
309-201-004-xx*	Trunking Unit 860 mm	7	1.1 kg

5, 9 & 11 pole versions of trunking units available by request.



## Trunking accessories

Trunking joint and End cap is used as mounting points for Spline, this means that there is a mounting point at the end of each Trunking unit.

These parts also include a locking system that holds the Trunking unit together.

Art no	Description
309-303-001	Trunking joint
309-288-001-xx*	End cover



Trunking joint



End cover

## Suspension accessories

The Spline system can be mounted to a ceiling or to a cable channel without any additional parts.

Wire kit are available to suspend the Spline system. For false inner ceiling, a clip is used to secure the system.

Art no	Description
047-287	Suspension kit 6000 mm
309-284-001	Ceiling clip



Suspension kit



Ceiling clip

\*Add color code to Art no  
 - 10 White - 30 Grey  
 - 20 Black - 00 Galvanized



## LED battens

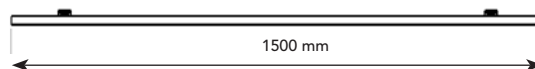
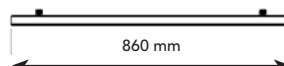
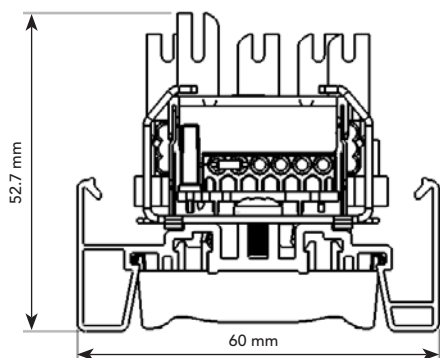
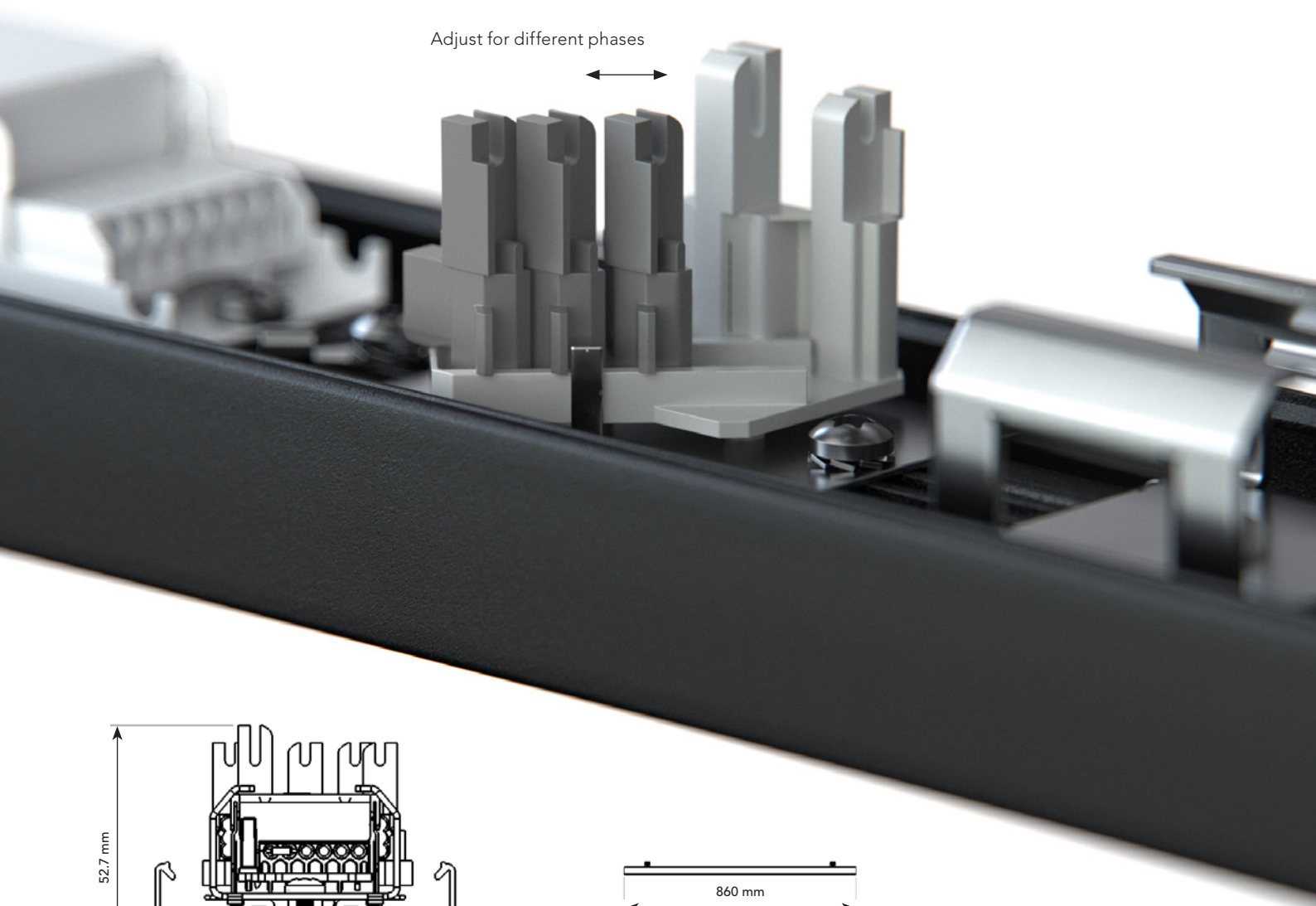
LED battens are designed around a lightweight frame of extruded aluminum with driver and connection system on the top side. On the bottom side there are top performing mid-power LED chips mounted on MCPCB's for optimal thermal management. High purity PC lenses to ensure colour stability over time and minimum optical loss.



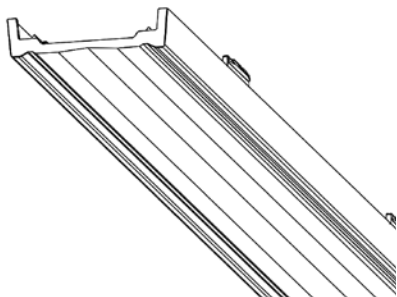
LED battens are available in two different types:

- Pro version which offers high efficiency and high lumen output options.
- The Standard, offers lower initial investment cost.

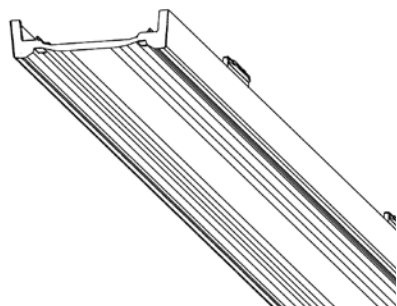
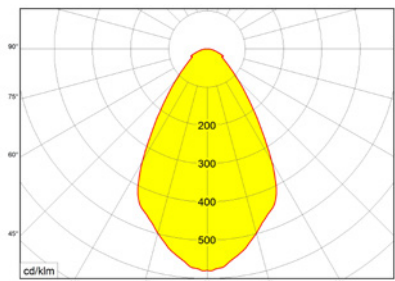
Optionally the LED battens can be fitted with DALI dimmable drivers to enable lighting controls.



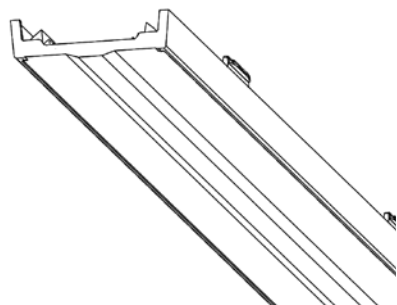
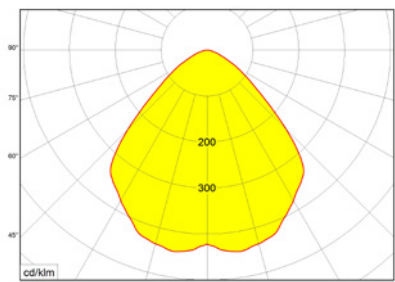
# Optics



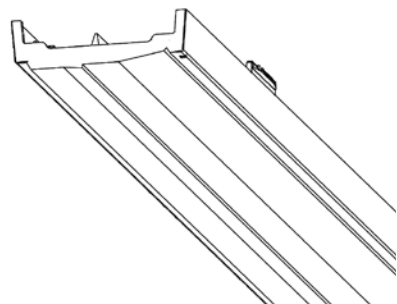
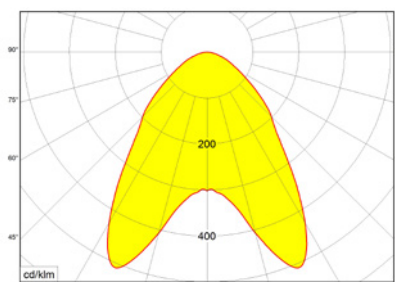
**Medium** Can be used for mid height or creating a more dynamic atmosphere.



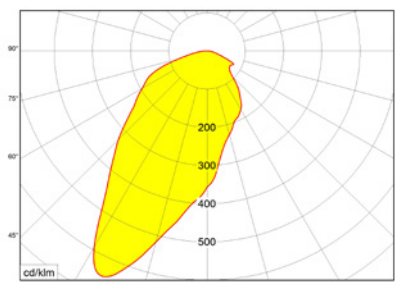
**Flood** Suitable for illuminating larger open spaces.



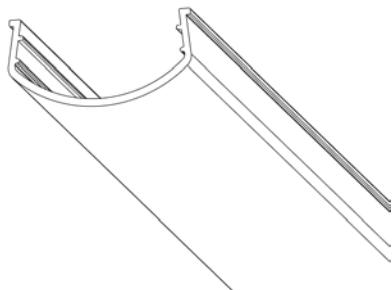
**Double asymmetric** Perfect for illuminating shelving in spaces with lower ceilings – no light and energy gets wasted illuminating the aisle floors and glare is minimal.



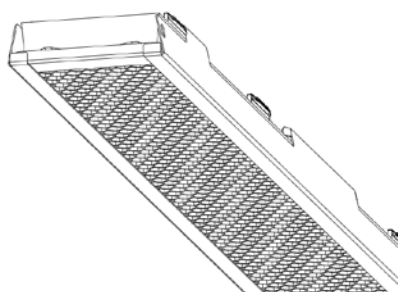
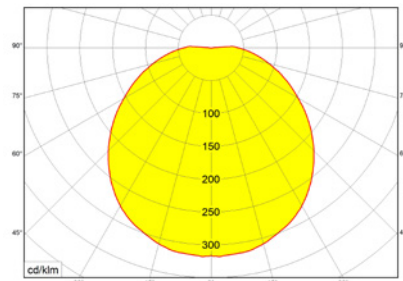
**Single asymmetric** When you only desire lighting on one side. Optics available in left and right hand versions.



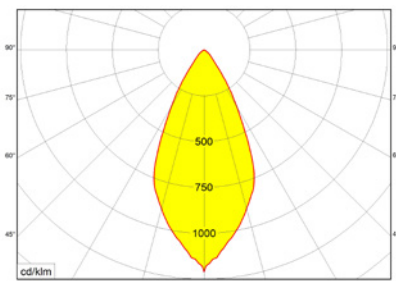
## Optics



**Opaque** A diffuser that will spread an even light, perfect for open spaces.



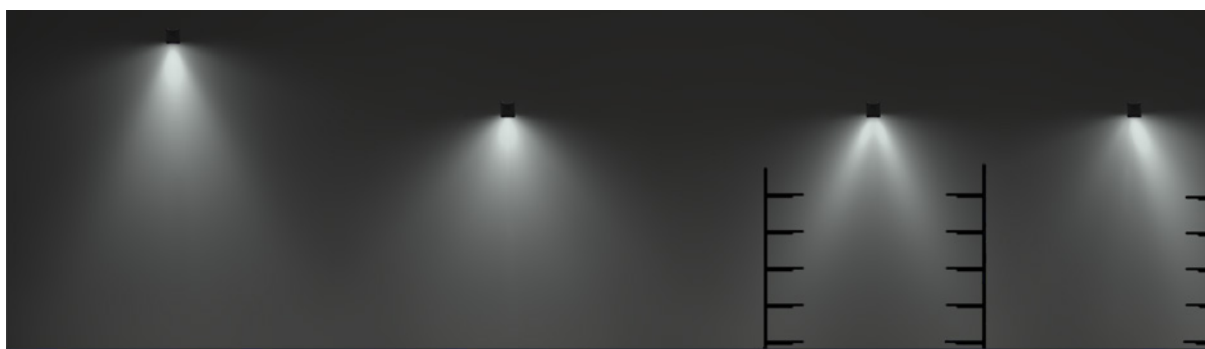
**Honey comb** Suitable in areas where a minimum of glare is required.



Art no	Description
309-283-001	Honey comb

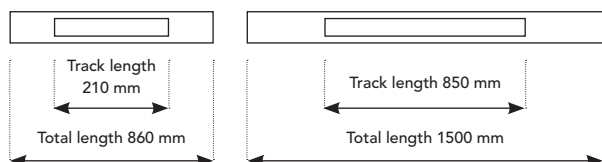
Example installations of the different optics.

Medium and Flood for general lighting. Medium for higher installation height and narrower space.  
 Double asymmetric to light up two rows of shelves and Single asymmetric to light up one shelf.



## Track batten

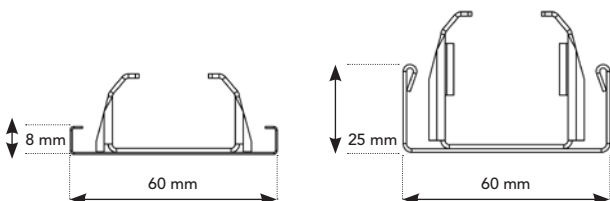
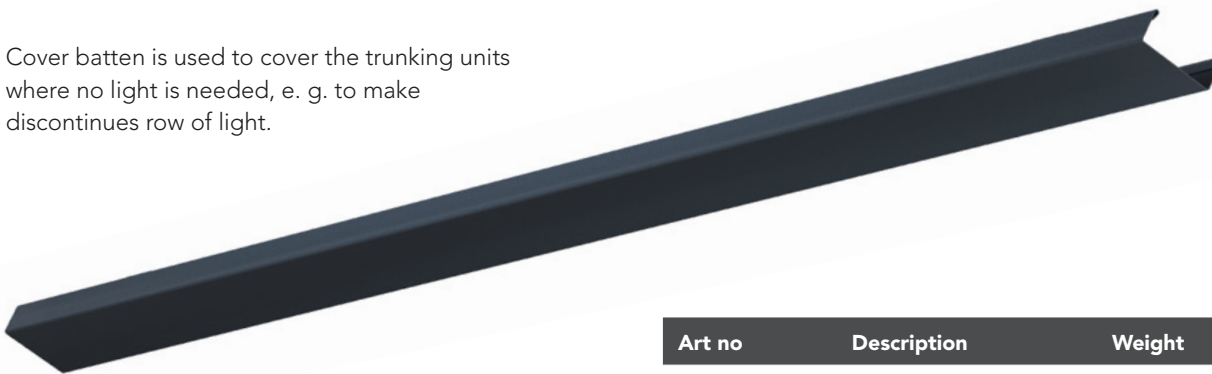
Track batten is a 3-phase track for Spline where all of Nordic Lights accent lighting can be mounted.



Art no	Description	Weight
309-208-001-xx*	Track batten 1500 mm	2.4 kg
309-208-011-xx*	Track batten 860 mm	1.3 kg

## Cover batten

Cover batten is used to cover the trunking units where no light is needed, e. g. to make discontinues row of light.



Art no	Description	Weight
309-287-002-xx*	Cover batten 1500 mm	1.6 kg
309-287-012-xx*	Cover batten 860 mm	0.9 kg
309-287-102-xx*	Cover batten 1500 mm, low profile**	0.5 kg
309-287-112-xx*	Cover batten 860 mm, low profile**	0.3 kg

\*Add color code to Art no  
 -10 White -20 Black  
 -30 Grey -00 Galvanized

\*\*Low profile cover batten can't be mounted next to a track batten or a regular cover batten, due to the height difference.

## Emergency batten

Emergency batten is a LED batten with integrated emergency light control and battery. In normal condition it works like an ordinary LED batten but when power supply fails it will immediately switch over to battery supply, there is versions for 1 h and 3 h emergency light.

A button on the outside of the profile is used for testing and there is also a status indicator. Emergency batten DALI version can be controlled and monitored with DALI interface. Spline system with emergency light need to be built with Trunking units with at least 9 wires.



Installation height	Emergency batten Medium		Emergency batten Flood		Emergency batten Double Assymetric	
	c-c	a*	c-c	a*	c-c	a*
3 m	10.5 m	6	10.5 m	6	10,5 m	6
4 m	12 m	7	12 m	7	12 m	7
5 m	13.5 m	8	13.5 m	8	12 m	7
6 m	16.5 m	10	15 m	9	13.5 m	8
7 m	16.5 m	10	15 m	9	13.5 m	8
8 m	18 m	11	16.5 m	10	13.5 m	8
9 m	19.5 m	12	16.5 m	10	13.5 m	8
10 m	19.5 m	12	16.5 m	10	13.5 m	8

Distance between Emergency battens in a row will give a minimum of 1 lux in the central floor axis under the Spline system.

a\* = Number of 1.5 m battens between each Emergency batten.

Visible example of how to light up emergency routes in buildings.

The distance of Emergency LED battens is depending on mounting height and beam spreads used in the Spline system, and local country demands.

		Art no	Description	System W	Fixture Lumen	System efficacy	EEI	Weight	
<b>Group 5000</b> (3330 Lm/m)	<b>830</b> Ra 80, 3000 K	1500 mm	309-205-102-xx	LED batten Standard 830 Medium	38 W	5050 Lm	132 Lm/W	A++	1,7 kg
			309-205-103-xx	LED batten Standard 830 Flood					
			309-205-104-xx	LED batten Standard 830 Double assymetric					
			309-205-105-xx	LED batten Standard 830 Single assymetric	19 W	2500 Lm	132 Lm/W	A++	
			309-205-107-xx	LED batten Standard 830 Opaque	53 W	5000 Lm	94 Lm/W	A+	
	<b>830</b> Ra 80, 3000 K	860 mm	309-215-102-xx	LED batten Standard 830 Medium	22 W	2850 Lm	128 Lm/W	A++	1,1 kg
			309-215-103-xx	LED batten Standard 830 Flood					
			309-215-104-xx	LED batten Standard 830 Double assymetric					
			309-215-107-xx	LED batten Standard 830 Opaque	31 W	2850 Lm	94 Lm/W	A+	
	<b>840</b> Ra 80, 4000 K	1500 mm	309-205-112-xx	LED batten Standard 840 Medium	32 W	5050 Lm	157 Lm/W	A++	1,7 kg
			309-205-113-xx	LED batten Standard 840 Flood					
			309-205-114-xx	LED batten Standard 840 Double assymetric					
			309-205-115-xx	LED batten Standard 840 Single assymetric	16 W	2550 Lm	154 Lm/W	A++	
			309-205-117-xx	LED batten Standard 840 Opaque	45 W	5050 Lm	112 Lm/W	A+	
<b>840</b> Ra 80, 4000 K		860 mm	309-215-112-xx	LED batten Standard 840 Medium	19 W	2850 Lm	150 Lm/W	A++	1,1 kg
			309-215-113-xx	LED batten Standard 840 Flood					
			309-215-114-xx	LED batten Standard 840 Double assymetric					
			309-215-117-xx	LED batten Standard 840 Opaque	26 W	2850 Lm	110 Lm/W	A+	

		Art no	Description	System W	Fixture Lumen	System efficacy	EEI	Weight	
<b>Group 6000</b> (4000 Lm/m)	<b>830</b> Ra 80, 3000 K	1500 mm	309-205-202-xx	LED batten Standard 830 Medium	47 W	6100 Lm	129 Lm/W	A++	1,7 kg
			309-205-203-xx	LED batten Standard 830 Flood					
			309-205-204-xx	LED batten Standard 830 Double assymetric					
			309-205-205-xx	LED batten Standard 830 Single assymetric	23 W	3000 Lm	132 Lm/W	A++	
			309-205-207-xx	LED batten Standard 830 Opaque	67 W	6050 Lm	90 Lm/W	A+	
	<b>830</b> Ra 80, 3000 K	860 mm	309-215-202-xx	LED batten Standard 830 Medium	28 W	3500 Lm	127 Lm/W	A++	1,1 kg
			309-215-203-xx	LED batten Standard 830 Flood					
			309-215-204-xx	LED batten Standard 830 Double assymetric					
			309-215-207-xx	LED batten Standard 830 Opaque	38 W	3450 Lm	92 Lm/W	A+	
	<b>840</b> Ra 80, 4000 K	1500 mm	309-205-212-xx	LED batten Standard 840 Medium	40 W	6050 Lm	153 Lm/W	A++	1,7 kg
			309-205-213-xx	LED batten Standard 840 Flood					
			309-205-214-xx	LED batten Standard 840 Double assymetric					
			309-205-215-xx	LED batten Standard 840 Single assymetric	20 W	3050 Lm	154 Lm/W	A++	
			309-205-217-xx	LED batten Standard 840 Opaque	55 W	6000 Lm	109 Lm/W	A+	
<b>840</b> Ra 80, 4000 K		860 mm	309-215-212-xx	LED batten Standard 840 Medium	23 W	3500 Lm	149 Lm/W	A++	1,1 kg
			309-215-213-xx	LED batten Standard 840 Flood					
			309-215-214-xx	LED batten Standard 840 Double assymetric					
			309-215-217-xx	LED batten Standard 840 Opaque	32 W	3450 Lm	109 Lm/W	A+	

		Art no	Description	System W	Fixture Lumen	System efficacy	EEI	Weight	
<b>Group 7000</b> (4670 Lm/m)	<b>830</b> Ra 80, 3000 K	1500 mm	309-205-302-xx	LED batten Standard 830 Medium	56 W	7100 Lm	126 Lm/W	A++	1,7 kg
			309-205-303-xx	LED batten Standard 830 Flood					
			309-205-304-xx	LED batten Standard 830 Double assymetric					
			309-205-305-xx	LED batten Standard 830 Single assymetric	27 W	3550 Lm	132 Lm/W	A++	
			309-205-307-xx	LED batten Standard 830 Opaque	82 W	7150 Lm	87 Lm/W	A+	
	<b>830</b> Ra 80, 3000 K	860 mm	309-215-302-xx	LED batten Standard 830 Medium	32 W	4050 Lm	126 Lm/W	A++	1,1 kg
			309-215-303-xx	LED batten Standard 830 Flood					
			309-215-304-xx	LED batten Standard 830 Double assymetric					
			309-215-307-xx	LED batten Standard 830 Opaque	45 W	4050 Lm	90 Lm/W	A+	
	<b>840</b> Ra 80, 4000 K	1500 mm	309-205-312-xx	LED batten Standard 840 Medium	47 W	7100 Lm	150 Lm/W	A++	1,7 kg
			309-205-313-xx	LED batten Standard 840 Flood					
			309-205-314-xx	LED batten Standard 840 Double assymetric					
			309-205-315-xx	LED batten Standard 840 Single assymetric	23 W	3500 Lm	154 Lm/W	A++	
			309-205-317-xx	LED batten Standard 840 Opaque	67 W	7000 Lm	105 Lm/W	A+	
<b>840</b> Ra 80, 4000 K		860 mm	309-215-312-xx	LED batten Standard 840 Medium	27 W	4050 Lm	148 Lm/W	A++	1,1 kg
			309-215-313-xx	LED batten Standard 840 Flood					
			309-215-314-xx	LED batten Standard 840 Double assymetric					
			309-215-317-xx	LED batten Standard 840 Opaque	38 W	4050 Lm	107 Lm/W	A+	



		Art no	Description	System W	Fixture Lumen	System efficacy	EEI	Weight	
<b>Group 8000</b> (6000 Lm/m)	<b>830</b> Ra 80, 3000 K	1500 mm	309-205-402-xx	LED batten Standard 830 Medium	67 W	8150 Lm	121 Lm/W	A+	1,7 kg
			309-205-403-xx	LED batten Standard 830 Flood					
			309-205-404-xx	LED batten Standard 830 Double assymetric					
			309-205-405-xx	LED batten Standard 830 Single assymetric					
	<b>830</b> Ra 80, 3000 K	860 mm	309-215-402-xx	LED batten Standard 830 Medium	38 W	4650 Lm	124 Lm/W	A++	1,1 kg
			309-215-403-xx	LED batten Standard 830 Flood					
			309-215-404-xx	LED batten Standard 830 Double assymetric					
	<b>840</b> Ra 80, 4000 K	1500 mm	309-205-412-xx	LED batten Standard 840 Medium	55 W	8100 Lm	147 Lm/W	A++	1,7 kg
			309-205-413-xx	LED batten Standard 840 Flood					
			309-205-414-xx	LED batten Standard 840 Double assymetric					
			309-205-415-xx	LED batten Standard 840 Single assymetric					
		860 mm	309-205-417-xx	LED batten Standard 840 Opaque	80 W	8100 Lm	102 Lm/W	A+	1,1 kg
			309-215-412-xx	LED batten Standard 840 Medium	32 W	4600 Lm	147 Lm/W	A++	
			309-215-413-xx	LED batten Standard 840 Flood					
			309-215-414-xx	LED batten Standard 840 Double assymetric					
	309-215-417-xx	LED batten Standard 840 Opaque	44 W	4600 Lm	105 Lm/W	A+			

		Art no	Description	System W	Fixture Lumen	System efficacy	EEI	Weight	
<b>Group 10000</b> (6670 Lm/m)	<b>830</b> Ra 80, 3000 K	1500 mm	309-205-502-xx	LED batten Standard 830 Medium	82 W	9600 Lm	117 Lm/W	A+	1,7 kg
			309-205-503-xx	LED batten Standard 830 Flood					
			309-205-504-xx	LED batten Standard 830 Double assymetric					
			309-205-505-xx	LED batten Standard 830 Single assymetric					
	<b>830</b> Ra 80, 3000 K	860 mm	309-215-502-xx	LED batten Standard 830 Medium	46 W	5500 Lm	120 Lm/W	A+	1,1 kg
			309-215-503-xx	LED batten Standard 830 Flood					
			309-215-504-xx	LED batten Standard 830 Double assymetric					
	<b>840</b> Ra 80, 4000 K	1500 mm	309-205-512-xx	LED batten Standard 840 Medium	80 W	10950 Lm	137 Lm/W	A++	1,7 kg
			309-205-513-xx	LED batten Standard 840 Flood					
			309-205-514-xx	LED batten Standard 840 Double assymetric					
		860 mm	309-205-515-xx	LED batten Standard 840 Single assymetric	36 W	5450 Lm	151 Lm/W	A++	1,1 kg
			309-215-512-xx	LED batten Standard 840 Medium	45 W	6350 Lm	140 Lm/W	A++	
			309-215-513-xx	LED batten Standard 840 Flood					
	309-215-514-xx	LED batten Standard 840 Double assymetric							

		Art no	Description	System W	Fixture Lumen	System efficacy	EEL	Weight		
<b>Group 6000</b> (4000 Lm/m)	<b>830</b> Ra 80, 3000 K	1500 mm	309-206-102-xx	LED batten Pro 830 Medium	44 W	6050 Lm	138 Lm/W	A++	1,7 kg	
			309-206-103-xx	LED batten Pro 830 Flood						
			309-206-104-xx	LED batten Pro 830 Double assymetric						
			309-206-105-xx	LED batten Pro 830 Single assymetric	22 W	3050 Lm	136 Lm/W	A++		
			309-206-107-xx	LED batten Pro 830 Opaque	62 W	6000 Lm	97 Lm/W	A+		
	<b>830</b> Ra 80, 3000 K	860 mm	309-216-102-xx	LED batten Pro 830 Medium	25 W	3400 Lm	137 Lm/W	A++	1,1 kg	
			309-216-103-xx	LED batten Pro 830 Flood						
			309-216-104-xx	LED batten Pro 830 Double assymetric						
			309-216-107-xx	LED batten Pro 830 Opaque	34 W	3400 Lm	100 Lm/W	A+		
	<b>840</b> Ra 80, 4000 K	1500 mm	309-206-112-xx	LED batten Pro 840 Medium	37 W	6050 Lm	162 Lm/W	A++	1,7 kg	
			309-206-113-xx	LED batten Pro 840 Flood						
			309-206-114-xx	LED batten Pro 840 Double assymetric						
			309-206-115-xx	LED batten Pro 840 Single assymetric	19 W	3050 Lm	158 Lm/W	A++		
			309-206-117-xx	LED batten Pro 840 Opaque	51 W	6000 Lm	118 Lm/W	A+		
		<b>840</b> Ra 80, 4000 K	860 mm	309-216-112-xx	LED batten Pro 840 Medium	22 W	3450 Lm	161 Lm/W	A++	1,1 kg
				309-216-113-xx	LED batten Pro 840 Flood					
309-216-114-xx				LED batten Pro 840 Double assymetric						
309-216-117-xx				LED batten Pro 840 Opaque	29 W	3400 Lm	118 Lm/W	A+		

		Art no	Description	System W	Fixture Lumen	System efficacy	EEL	Weight		
<b>Group 7000</b> (4670 Lm/m)	<b>830</b> Ra 80, 3000 K	1500 mm	309-206-202-xx	LED batten Pro 830 Medium	52 W	7100 Lm	136 Lm/W	A++	1,7 kg	
			309-206-203-xx	LED batten Pro 830 Flood						
			309-206-204-xx	LED batten Pro 830 Double assymetric						
			309-206-205-xx	LED batten Pro 830 Single assymetric	26 W	3500 Lm	136 Lm/W	A++		
			309-206-207-xx	LED batten Pro 830 Opaque	72 W	6900 Lm	96 Lm/W	A+		
	<b>830</b> Ra 80, 3000 K	860 mm	309-216-202-xx	LED batten Pro 830 Medium	31 W	4150 Lm	136 Lm/W	A++	1,1 kg	
			309-216-203-xx	LED batten Pro 830 Flood						
			309-216-204-xx	LED batten Pro 830 Double assymetric						
			309-216-207-xx	LED batten Pro 830 Opaque	40 W	3950 Lm	99 Lm/W	A+		
	<b>840</b> Ra 80, 4000 K	1500 mm	309-206-212-xx	LED batten Pro 840 Medium	44 W	7050 Lm	161 Lm/W	A++	1,7 kg	
			309-206-213-xx	LED batten Pro 840 Flood						
			309-206-214-xx	LED batten Pro 840 Double assymetric						
			309-206-215-xx	LED batten Pro 840 Single assymetric	22 W	3550 Lm	159 Lm/W	A++		
			309-206-217-xx	LED batten Pro 840 Opaque	63 W	7150 Lm	113 Lm/W	A+		
		<b>840</b> Ra 80, 4000 K	860 mm	309-216-212-xx	LED batten Pro 840 Medium	26 W	4050 Lm	159 W	A++	1,1 kg
				309-216-213-xx	LED batten Pro 840 Flood					
309-216-214-xx				LED batten Pro 840 Double assymetric						
309-216-217-xx				LED batten Pro 840 Opaque	35 W	4050 Lm	117 Lm/W	A+		

		Art no	Description	System W	Fixture Lumen	System efficacy	EEL	Weight		
<b>Group 8000</b> (6000 Lm/m)	<b>830</b> Ra 80, 3000 K	1500 mm	309-206-302-xx	LED batten Pro 830 Medium	62 W	8050 Lm	131 Lm/W	A++	1,7 kg	
			309-206-303-xx	LED batten Pro 830 Flood						
			309-206-304-xx	LED batten Pro 830 Double assymetric						
			309-206-305-xx	LED batten Pro 830 Single assymetric	29 W	4000 Lm	136 Lm/W	A++		
			309-216-302-xx	LED batten Pro 830 Medium	34 W	4600 Lm	135 Lm/W	A++		1,1 kg
	309-216-303-xx	LED batten Pro 830 Flood								
	309-216-304-xx	LED batten Pro 830 Double assymetric								
	<b>840</b> Ra 80, 4000 K	1500 mm	309-206-312-xx	LED batten Pro 840 Medium	51 W	8050 Lm	159 Lm/W	A++	1,7 kg	
			309-206-313-xx	LED batten Pro 840 Flood						
			309-206-314-xx	LED batten Pro 840 Double assymetric						
			309-206-315-xx	LED batten Pro 840 Single assymetric	26 W	4050 Lm	159 Lm/W	A++		
			309-206-317-xx	LED batten Pro 840 Opaque	77 W	8450 Lm	110 Lm/W	A+		
		<b>840</b> Ra 80, 4000 K	860 mm	309-216-312-xx	LED batten Pro 840 Medium	29 W	4550 Lm	159 Lm/W	A++	1,1 kg
				309-216-313-xx	LED batten Pro 840 Flood					
				309-216-314-xx	LED batten Pro 840 Double assymetric					
				309-216-317-xx	LED batten Pro 840 Opaque	42 W	4800 Lm	116 Lm/W	A+	

		Art no	Description	System W	Fixture Lumen	System efficacy	EEL	Weight	
<b>Group 10000</b> (6670 Lm/m)	<b>830</b> Ra 80, 3000 K	1500 mm	309-206-402-xx	LED batten Pro 830 Medium	79 W	10000 Lm	127 Lm/W	A++	1,7 kg
			309-206-403-xx	LED batten Pro 830 Flood					
			309-206-404-xx	LED batten Pro 830 Double assymetric					
			309-206-405-xx	LED batten Pro 830 Single assymetric					
	<b>830</b> Ra 80, 3000 K	860 mm	309-216-402-xx	LED batten Pro 830 Medium	43 W	5700 Lm	133 Lm/W	A++	1,1 kg
			309-216-403-xx	LED batten Pro 830 Flood					
			309-216-404-xx	LED batten Pro 830 Double assymetric					
	<b>840</b> Ra 80, 4000 K	1500 mm	309-206-412-xx	LED batten Pro 840 Medium	68 W	10250 Lm	152 Lm/W	A++	1,7 kg
			309-206-413-xx	LED batten Pro 840 Flood					
			309-206-414-xx	LED batten Pro 840 Double assymetric					
			309-206-415-xx	LED batten Pro 840 Single assymetric					
		860 mm	309-216-412-xx	LED batten Pro 840 Medium	37 W	5800 Lm	157 Lm/W	A++	1,1 kg
309-216-413-xx			LED batten Pro 840 Flood						
309-216-414-xx			LED batten Pro 840 Double assymetric						

		Art no	Description	System W	Fixture Lumen	System efficacy	EEL	Weight	
<b>Group 12000</b> (8000 Lm/m)	<b>840</b> Ra 80, 4000 K	1500 mm	309-206-512-xx	LED batten Pro 840 Medium	77 W	11350 Lm	148 Lm/W	A++	1,7 kg
			309-206-513-xx	LED batten Pro 840 Flood					
			309-206-514-xx	LED batten Pro 840 Double assymetric					
			309-206-515-xx	LED batten Pro 840 Single assymetric					
	860 mm	309-216-512-xx	LED batten Pro 840 Medium	42 W	6500 Lm	156 Lm/W	A++	1,1 kg	
		309-216-513-xx	LED batten Pro 840 Flood						
		309-216-514-xx	LED batten Pro 840 Double assymetric						

**Note!** Add color code to Art no (xx)

-10 White   -20 Black  
 -30 Grey   -00 Anodized

- All LED batten versions is also available with DALI.
- Emergency versions of 1,5 m LED battens are available with 1h and 3h batteries.
- For other versions please contact our sales.

## Technical specification

Mains (input) voltage	220-240 V
Frequency	50/60 Hz
Start time	Instant
Optics	PC
Form of protection	IP 20, class I
Lifetime failure	L80 B50 >50.000h L90 B50 40.000h
Ambient temp	-20°C – 35°C
Lifetime ambient temp <sup>1</sup>	25°C
Driver, power factor	≥0,9
Chromaticity tolerance between luminaries	3 McAdam steps
IK code	IK06

<sup>1</sup> Tested ambient temp, lifetime calculations based on this temp.

MCB	Number of LED batten per circuit	
	10A	16A
Type B	13	21
Type C	23	36

